

ESTATE GATE SPECIFICATIONS

COMPONENTS	RESIDENTIAL	COMMERCIAL	INDUSTRIAL
Pickets	5/8" Sq x .045	3/4" Sq x .062	1" Sq x .062
Rails Size & Wall Thickness	2"w (.125) x 1"h (.125)	2"w (.125) x 1"h (.125)	2"w (.125) x 1"h (.125)
Uprights	2" x 3" x .125"	2" x 3" x .125"	2" x 3" x .125"
Bottom Member	Varies by Gate Opening (See Chart Below)		
Picket Spacing (Standard)*	4-1/2" o/c (3-7/8" btw)	4-5/8" o/c (3-7/8" btw)	4-7/8" o/c (3-7/8" btw)
Picket Spacing (Double)*	2-1/4" o/c (1-11/16" btw)	2-5/16" o/c (1-9/16" btw)	2-7/16" o/c (1-7/16" btw)
Standard Heights	36", 42", 48" 54", 60", 72"	36", 42", 48", 54" 60", 72", 84", 96"	36", 42", 48", 54" 60", 72", 84", 96"

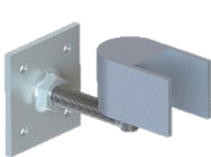
* Picket spacing on arched gates will vary by arch, but will be less than or equal to listed spacings.

GATE OPENING		End Uprights	Bottom Member	Corner Gussets	Truss Cables
Single	Double				
*Up to 11'-11 1/2"	*Up to 23'-11"	2" x 3" x 1/8"	2" x 3" x 1/8"	NONE	NONE
12'-0" to 13'-11 1/2"	24'-0" to 27'-11"	2" x 3" x 1/8"	2" x 4" x 1/8"	Yes	NONE
14'-0" to 16'-0"	28'-0" to 32'-0"	2" x 3" x 1/8"	2" x 6" x 1/8"	Yes	Yes
16'-0 1/2" to 20'-0"	32'-1" to 40'-0"	2" x 3" x 1/8"	** Detail Below	NONE	NONE

* Any gate opening under 6'-0 1/2" Single Or 12'-1" Double, will require a Estate Gate upcharge for listed specifications.

** For gate opening over 16'-0" Single or 32'-0" Double, additional charges apply. Request pricing.

DEDUCTIONS Using J-Bolt, Bad Ass or Block Hinges		DEDUCTIONS Using Gorilla 180 Degree Hinges	
Single	Double	Single	Double
Hinge Gap = 3.25"	Hinge Gap = 3.25" (x2)	Hinge Gap = 0.75"	Hinge Gap = 0.75" (x2)
Latch Gap = 0.75"	Latch Gap = 1.5"	Latch Gap = 0.75"	Latch Gap = 1.5"
Total = 4"	Total = 8"	Total = 1.5"	Total = 3"



J-Bolt
Adjustable:
3.25" to 6.50"



Bad Ass
Adjustable:
3.0625" to 3.25"



Block
Fixed at 3.25"



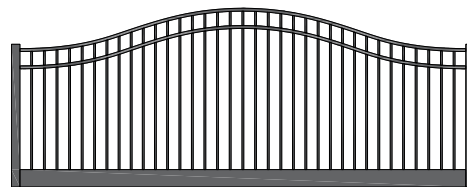
Gorilla 180
Fixed at 0.75"



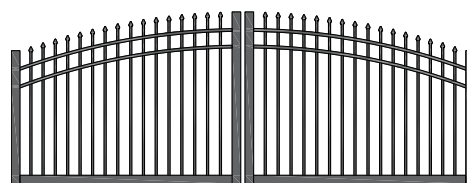
Dumpster Latch
Adjustable:
1" to 2.5"

POST
4" Sq x .125"
4" Sq x .250"
6" Sq x .125"
6" Sq x .250"

ALLOYS
Pickets : 6063-T52
Rails : 6005-T5
Post : 6005-T5
Uprights : 6005-T5

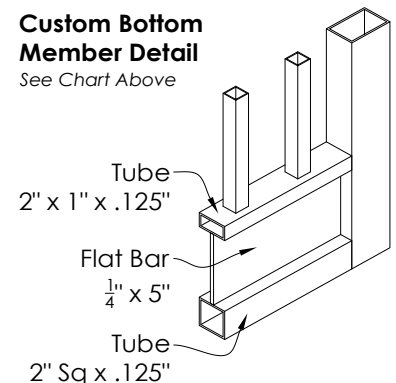


Single Swing - Bell Arched



Double Swing - Sunrise Arched

Custom Bottom Member Detail
See Chart Above



Document Date: 1/31/2024

Ph: 352.877.3888 Email: Info@AntebellumMFG.Com