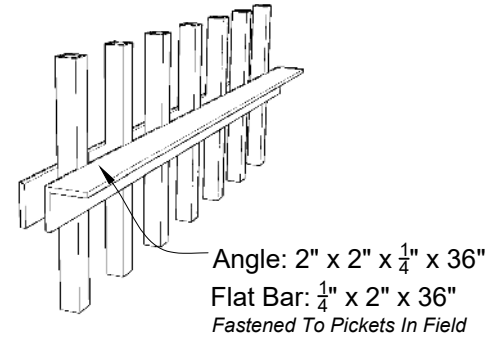
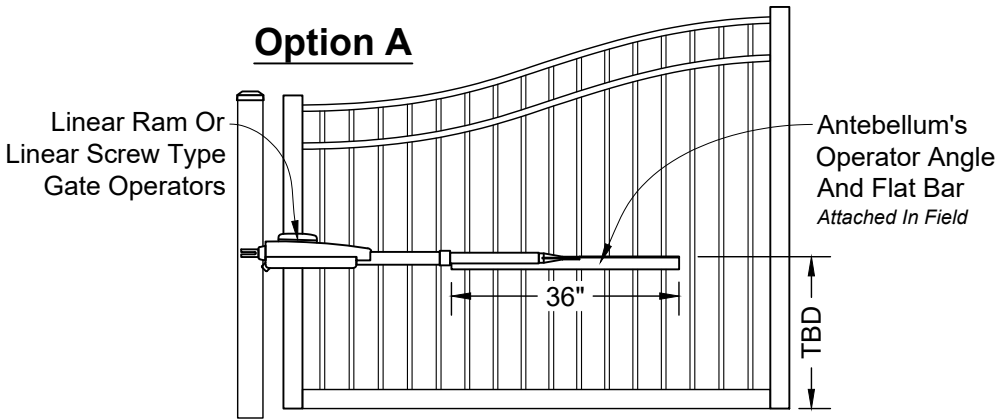
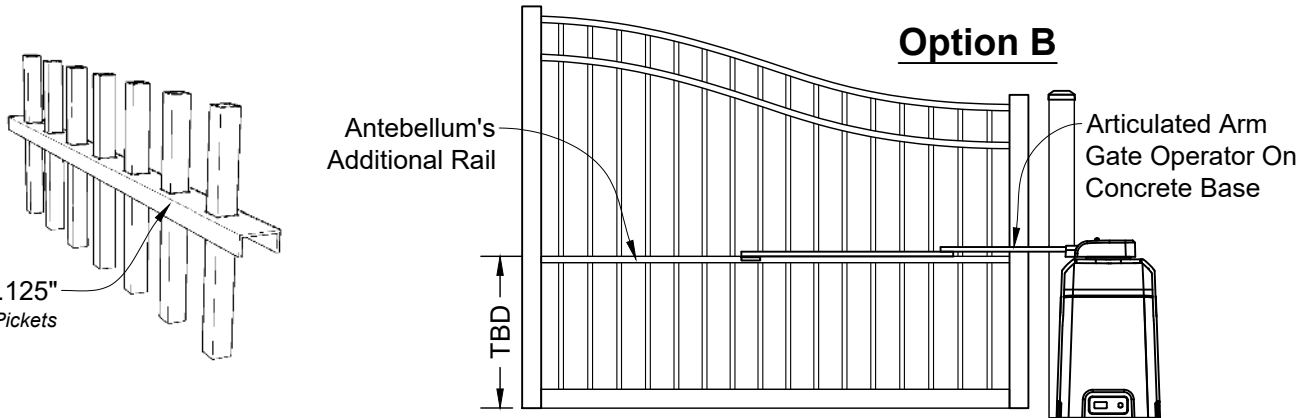


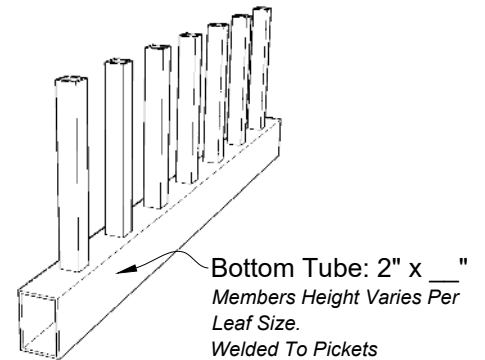
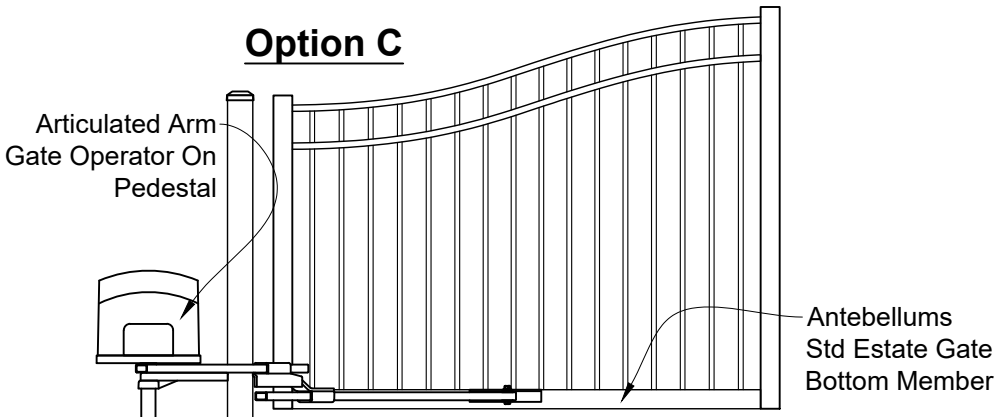
Option A



Option B



Option C



**OPERATOR ATTACHMENT
Options**



DRAWING NOTES:
See Estate Gate Spec Sheet For Material Sizes.

Checked By: _____

Order #: CAD Resource 1120 North Magnolia Ave Ocala, FL 34475

Customer Signature: _____

Drawn By: _____

Drawn Date: 1-Dec-22

Ph: 352.877.3888
Em: Info@AntebellumMFG.Com